

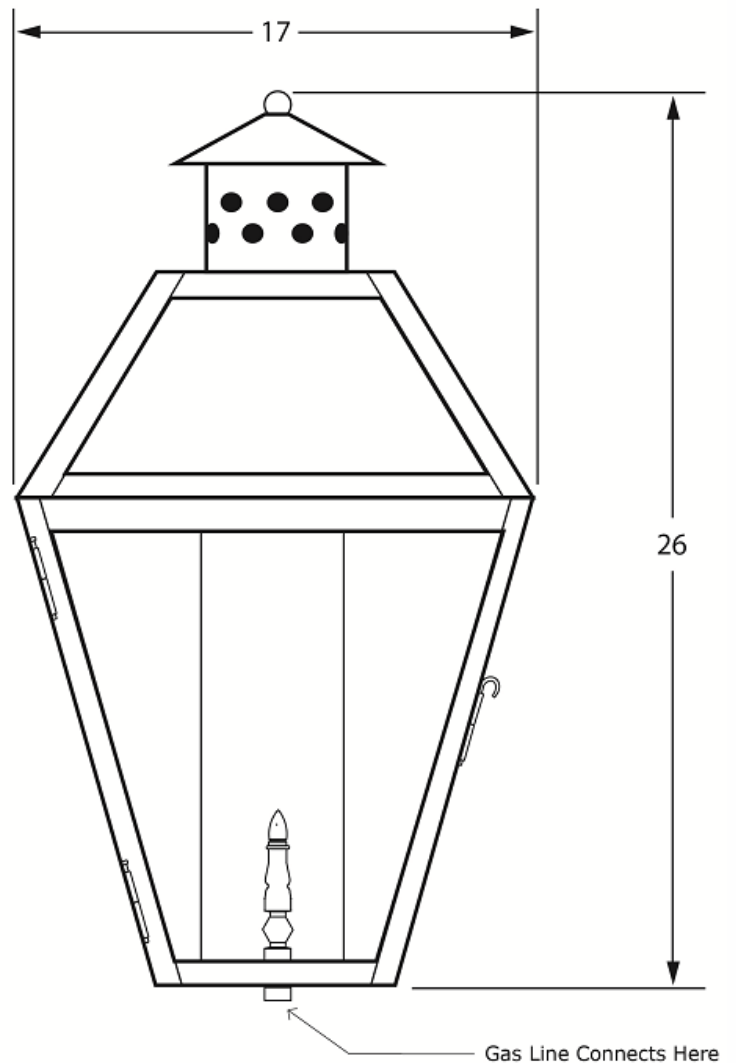
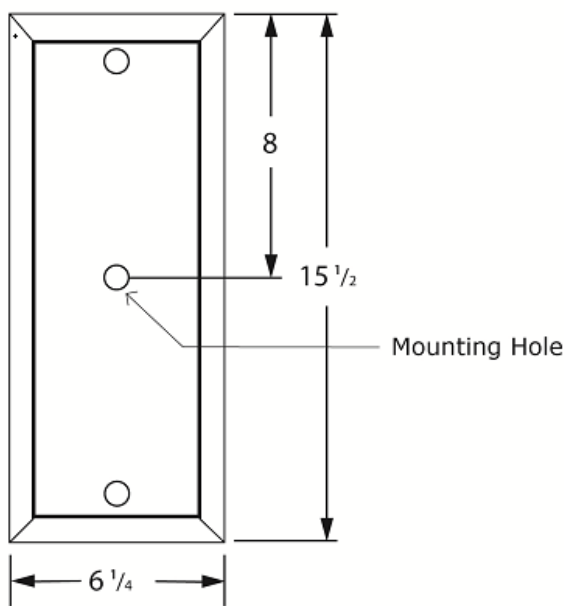
Charleston Series

CH-42

Wall Mount

26h x 17w x 18d

*Mounting hole to top of lantern: 18.5"



DAMP

BTU's: 1460 for Natural Gas / 1280 for Liquid Propane (LP)



1362 Chuck Dawley Blvd
Mount Pleasant, SC 29464
www.carolinalanterns.com
customerservice@carolinalanterns.com