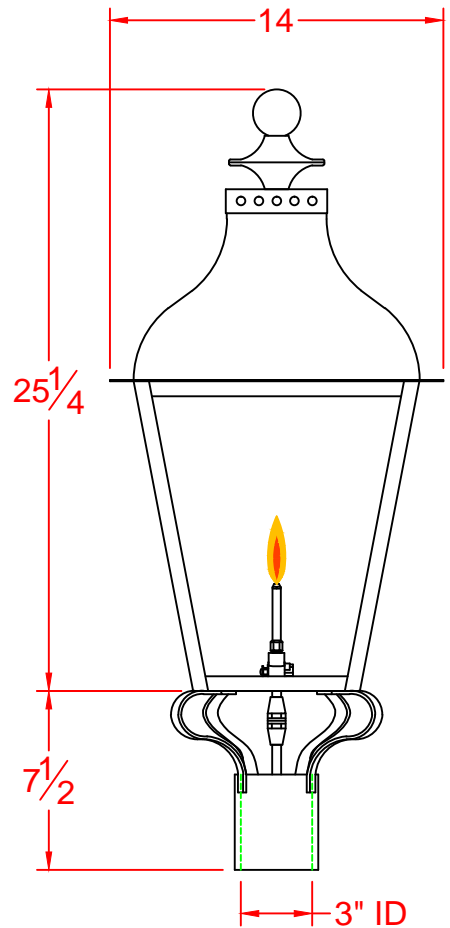
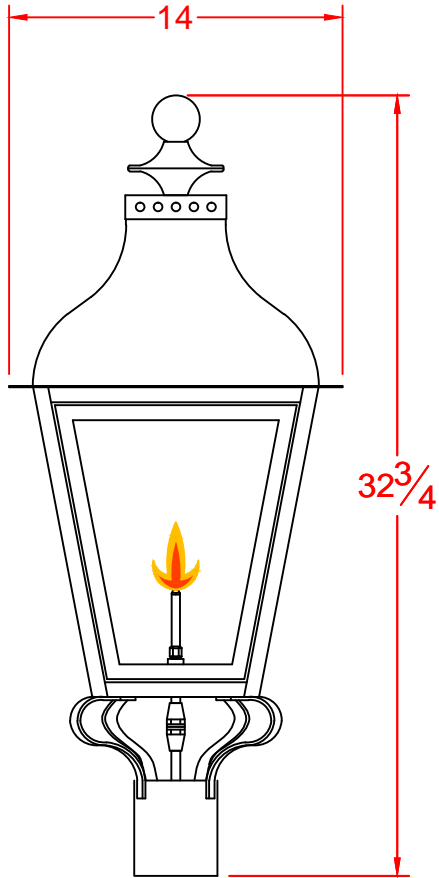


# STATE STREET II

ON AS2P BRACKET



## LEGENDARY LIGHTING

DWG. TITLE: STATE STREET - ATLAS

Drawn By: RVM

dwg no. PJS/ALL LIGHTS

Date: 12-29-15

SCALE: 1 1/2"=1'-0"

CUST. NAME: LEGENDARY LIGHTING